

# YEACODE

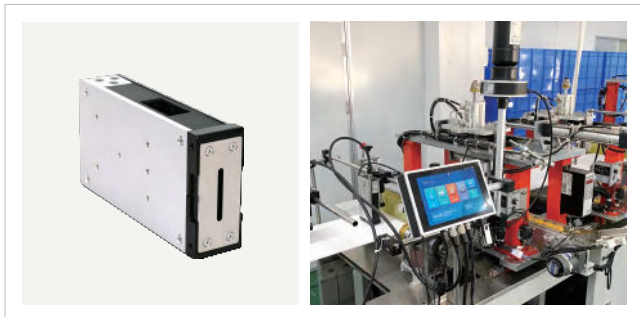


**Innovation**  
**Yeacode Leads**

Yeacode (Xiamen) Inkjet Inc.

## 8A Printhead

- 32.4mm Print height for single printhead
- Flexibly group, separate or stitch
- Support downward and sideward



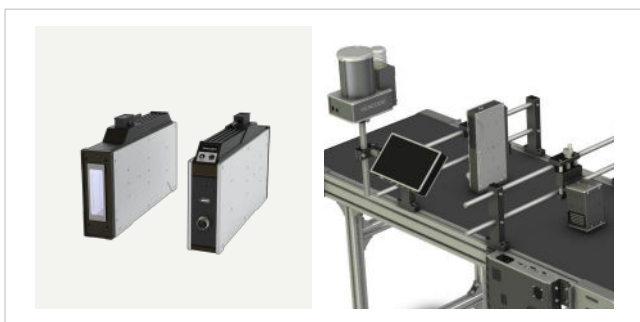
## 8B/C Printhead

- 71.8mm Print height for single printhead
- Flexibly group, separate or stitch, print height up to 280mm
- Support downward and sideward



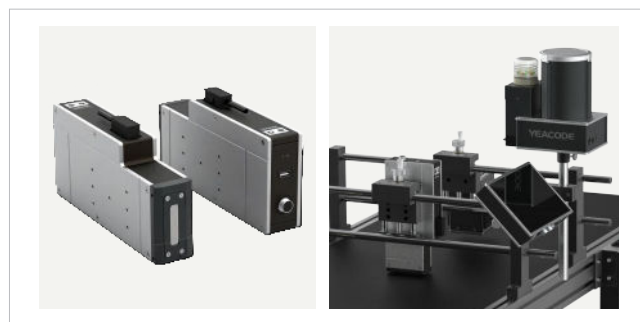
## 8D Printhead

- 54mm Print height for single printhead
- Flexibly group, separate or stitch, print height up to 216mm
- Support downward and sideward



## 8F Printhead

- 32.4mm Print height for single printhead
- Flexibly group, separate or stitch
- Support downward and sideward



## Specifications

Model	8A	8B/C	8D	8F
Technology	Piezoelectric Printing			
Print Engine	RICOH GH2220	SEIKO 510/1020	RICOH MH5420	RICOH MH2420
Print Speed	55meter/min (high ink intensity)	1-55meter/min (low ink intensity); 1-28meter/min (high ink intensity)	Max 260meter/min	Max 120meter/min
Throw Distance	0-5mm (Optimum)			
Resolution	Vertical: 300DPI Horizontal: 150-1200DPI	8B Vertical: 180DPI Horizontal: 180/360DPI 8C Vertical: 180/360DPI Horizontal: 180/360DPI	Vertical: 150/300/600DPI Horizontal: 150/300/600DPI	Vertical: 150/300DPI Horizontal: 150/300/600/900DPI
Print Height	Single head 32.4mm	71.8mm for single head, up to 280mm max	54mm for single head, up to 216mm max	Single head 32.4mm
Ink Supply	Siphon & negative pressure dual-mode ink supply system			
Installation	Sideward, downward; various mounting parts like biaxial adjustable module, gantry adjustable module etc for options			
Ink Type	UV ink, Oil-based ink			
Ink Management	Auto identify ink type and info, auto track ink usage			
Operating Temperature	59°F (15°C) -104°F (40°C)			
Storage Temperature	41°F (5°C) -113°F (45°C)			
Storage Temperature	172*87*38mm	8B 226.5*144*43.5mm 8C 235.5*150*38mm	158*279.7*44.5mm	110*241*45mm
Certifications	CE、FCC			

## 81Series Inkjet Printer

Yeacode 81 series High-resolution Piezo inkjet printer allows to connect single 8A, 8B, 8C, 8D printhead, also supports working with UV curing system. It provides various software and hardware interfaces and a complete SDK protocol for integrated development needs.



## 84 Series Inkjet Printer

Yeacode 84 series High-resolution Piezo Inkjet printer allows to connect up to four 8A, 8B, 8C, 8D printheads, also supports working with UV curing system. It provides various software and hardware interfaces and a complete SDK protocol for integrated development needs.



## User-friendly Interface

8-inch capacitive color touchscreen, Android based interface, easy access to core functions, support various languages and input methods.

## Variable Data Printing

Support a wide range of variable data: linear barcode, matrix barcode, date & time, shift, counter, image, database, table.



Matrix Barcode



Linear Barcode



Shift



Counter



Date & Time



Database

## Flexible installation

YEACODE provides a new installation scheme based on standard aluminum frame design, which makes the equipment installation onsite easily and quickly. The modular design allows the printhead to be combined at will. The various schemes of sideward, downward and floor stand type make the equipment flexibly applied to various working scenarios.





## Continuous Ink Supply System (CISS)

Yeacode newly launched ink supply system supports siphon & negative pressure dual-mode ink supply, suitable for UV ink and oil ink.

The model features one button purging, low ink detection, built-in heating and auto-stirring etc. The stable and reliable ink supply system brings a new experience to coding and marking.

## Various software/hardware interface

Provide software development kits, and support various hardware interfaces (PLC, RS232, RS485, Ethernet, etc.) to fulfill various integration needs.



SDK



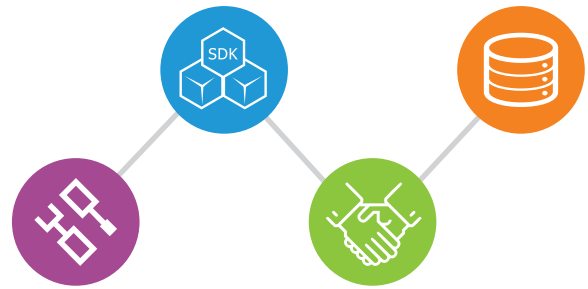
PLC



RS232



RS485



## Meet Customized Needs

Open platform and advanced system structure enable quick response to tailor-made various plug-ins and customized printing needs as requested.



Date & Time



Numeral System



Source

## SDK Development Kit

- Support multiple development languages
- Support various hardware interfaces
- Enable easy and quick integration
- Provide DEMO debugging tool with multiple protocols



C#



TCP



Http



RS232



C++



PHP



Python



Java



## PC Software

- Message creating, editing for quick operation
- Device remotely control
- Multiple printers synchronous management
- Printing preview assist quick development



## 951 UV Curing Device

- Connectable lamp qty: 1
- Output power: 500W
- Control mode: Printer centralized control
- System integration: Open framework and communication protocol

## 952 UV Curing Device

- Connectable lamp qty: 2, Cascadable
- Output power: 500W for single channel, 1000W for dual channel
- Control mode: Printer centralized control
- System integration: Open framework and communication protocol



## 921UV Curing Device

- Connectable lamp qty: 1
- Output power: 250W
- Control mode: Printer centralized control
- System integration: Open framework and communication protocol

## 924 UV Curing Device

- Connectable lamp qty: 4, Cascadable
- Output power: 250W for single channel, 1000W for dual channel
- Control mode: Printer centralized control
- System integration: Open framework and communication protocol



## UV LED Lamp



**9LH3474**

Applicable Printhead: 8B, 8C  
 Curing Power: 500W  
 Illumination length: 34mm  
 Illumination Height: 74mm



**9LH7434**

Applicable Printhead: 8A  
 Curing Power: 500W  
 Illumination length: 74mm  
 Illumination Height: 34mm



**9LH3734**

Applicable Printhead: 8A  
 Curing Power: 250W  
 Illumination length: 37mm  
 Illumination Height: 34mm



**9LH5656**

Applicable Printhead: 8D  
 Curing Power: 500W  
 Illumination length: 56mm  
 Illumination Height: 56mm



## Specifications

Model	81Series	84Series
Operating System	Android(Controller), Windows(PC).	
Ports	1) 1 printhead connecting port 2) 2 USB ports 3) I/O_1: Tricolor light, PLC, RS485 4) I/O_2: Encoder, photocell, RS232 5) Ethernet	1) 4 printhead connecting ports 2) 2 USB ports 3) I/O_1: Tricolor light, PLC, RS485 4) I/O_2: Encoder, photocell, RS232 5) Ethernet
Display	8-inch industrial capacitive color touchscreen, resolution 1280*800	
Power	110-240V In, 24V 5A Out	
Working Temperature	9°F (15°C) -104°F (40°C)	
Storage Temperature	41°F (5°C) -113°F (45°C)	
Hardware Dimensions	222*143*38mm	
Certifications	CE, FCC	
Language	English(Default), Chinese, and support custom installation	
Fonts	DroidSansFallback, Arial, and support custom installation of any ttf format font	
Input Methods	Support any custom installation of Android input method	
Object Type	Text, Barcode, Image, Shape, Table	
Source Type	Text, Date&Time, Shift, Counter, Manufacture Info, Database Text, Dynamic Text, Database Image, Dynamic Image, Company Logo	
Barcode Types	Linear Barcodes: C25INTER, EAN8/EAN13, GS1 EAN128, CODE39, CODE93, CODE128, CODE128A, CODE128B, CODE128C, UPCA, UPCE, ITF14, RSS14, RSS14STACK, RSS14STACK_OMNI, RSS_LTD, RSS_EXP, RSS_EXPSTACK; Matrix Barcodes: QRCODE, GS1 QRCODE, PDF417, DataMatrix, GS1 DataMatrix, GridMatrix, AZTEC Code;	
Database	Text, Excel, Access, SQL Server	



# About Yeacode

Yeacode (Xiamen) Inkjet Inc. was founded by a group of industrial inkjet professionals. With our expertise and knowledge in coding and marking, we focus on developing and providing the most cost effective and highest quality industrial high resolution inkjet printers.

Global pioneered modularized PIJ inkjet printer meet the coding needs of multiple messages at different height through multi-heads freely combination, compact and simple structure facilitates devices integrated in various production sites; Innovative CISS( continuous ink supply system) makes ink supply simple and easy to maintain, and provides optional functionalities such as low ink alarm, ink heating ,circulation, stirring etc, UV curing system designed through one to one paired to printhead offers accurate and consistent UV curing across a variety of substrates in an eco-friendly and effective manner.

The advanced software structure not only responds quickly to tailor-made needs, but also provides a complete SDK, main-stream database, supports centralized management of multiple production lines, and meets the integration needs of system integrators and equipment manufacturers

Yeacode focuses on industrial high resolution inkjet printers, and aims to become your professional and innovative partner.



Pursuit of excellence  
Developing by innovation

**YEACODE**

Yeacode (Xiamen) Inkjet Inc.

📍 2/F, No. 25-2 Wanghai Road, Xiamen, China

☎ +86-592-5221159

✉ sales@yeacode.com

🌐 www.yeacode.com